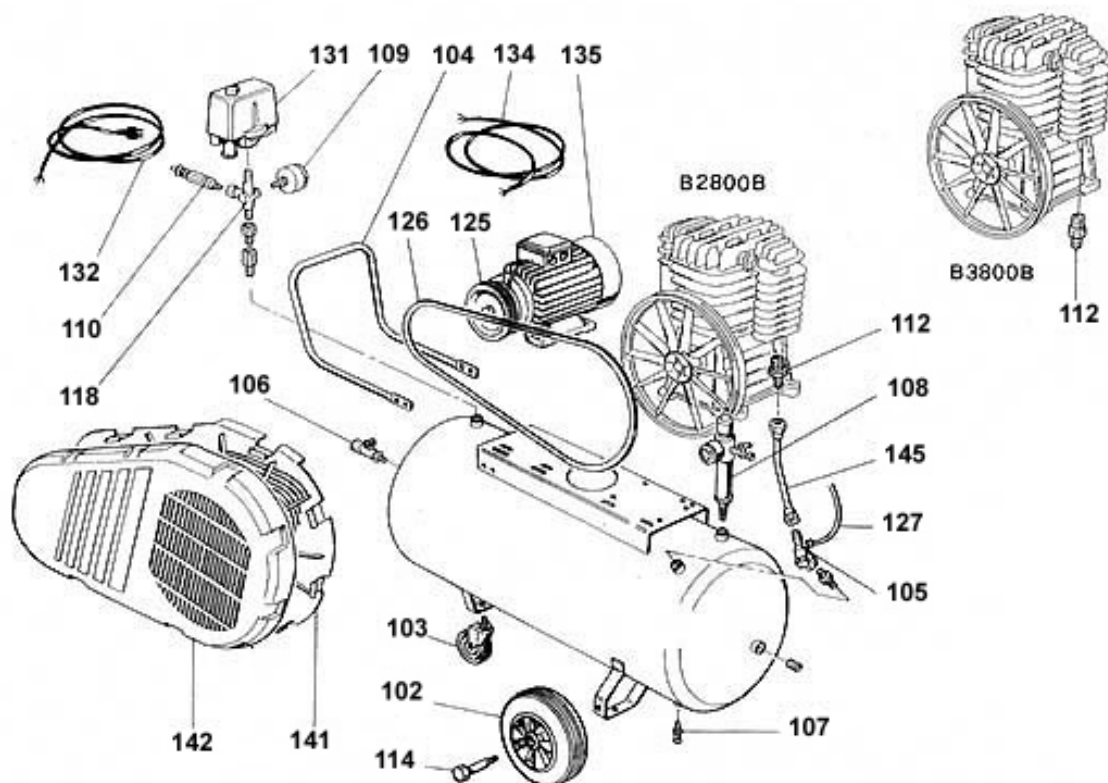


## Information

Item 4116024280 Description ABAC PRO A39B 150 CM3 V230

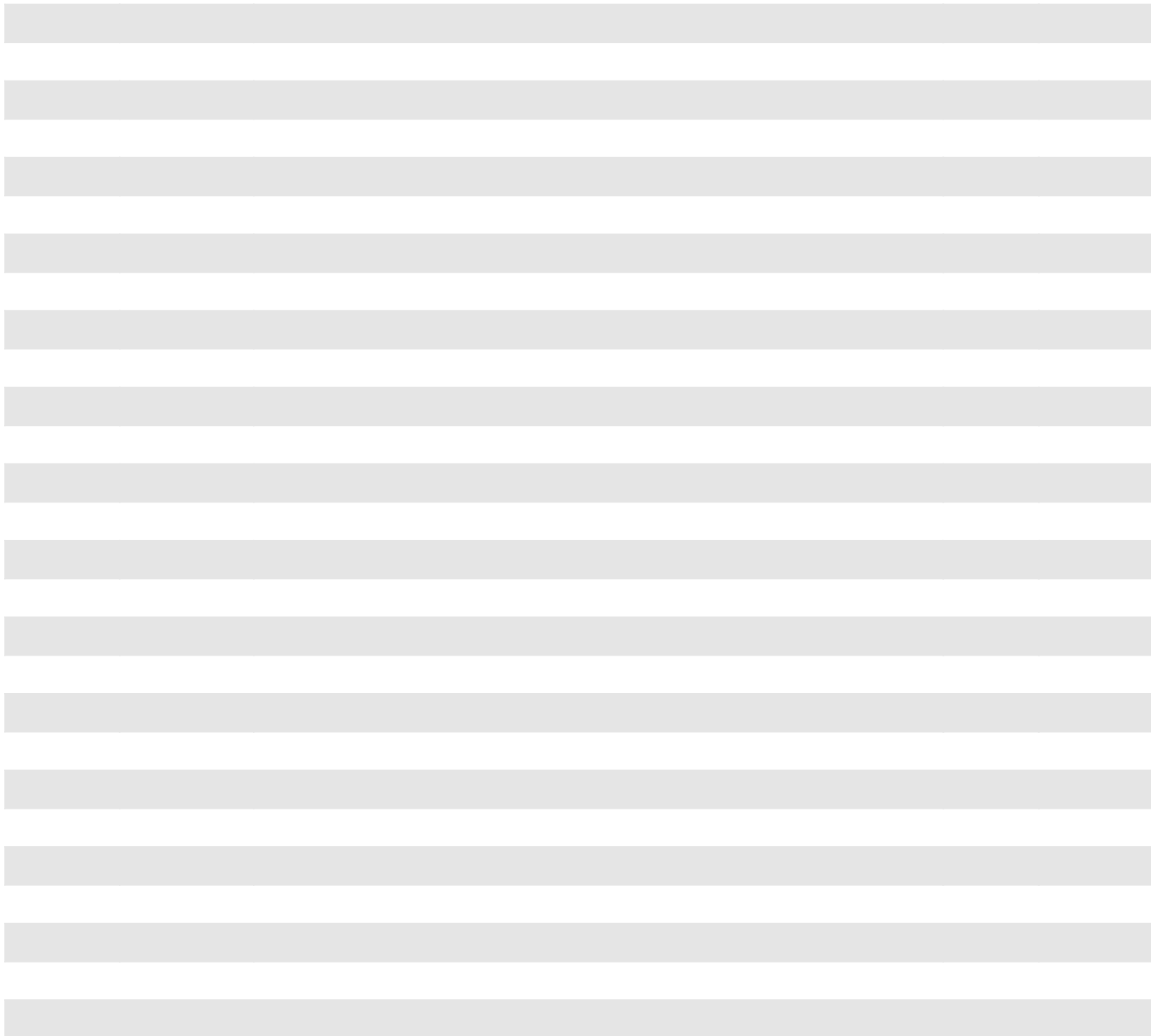


## Part

Nr.	Item	Description	End	Q.ty
099	4116090298	Pump		1.00 PC
099	4116090298	Pump	30/12/40	1.00 PC
102	6214347900	Wheel kit		2.00 PC
103	2236105333	Pivot wheel - Foot		2.00 PC
104	2236107286	Handle		1.00 PC
105	2236110537	Non return valve		1.00 PC
106	6210717800	Tap	01/06/12	1.00 PC
106	6231944200	Tap		1.00 PC
107	2236111480	Drain tap		1.00 PC

**Part**

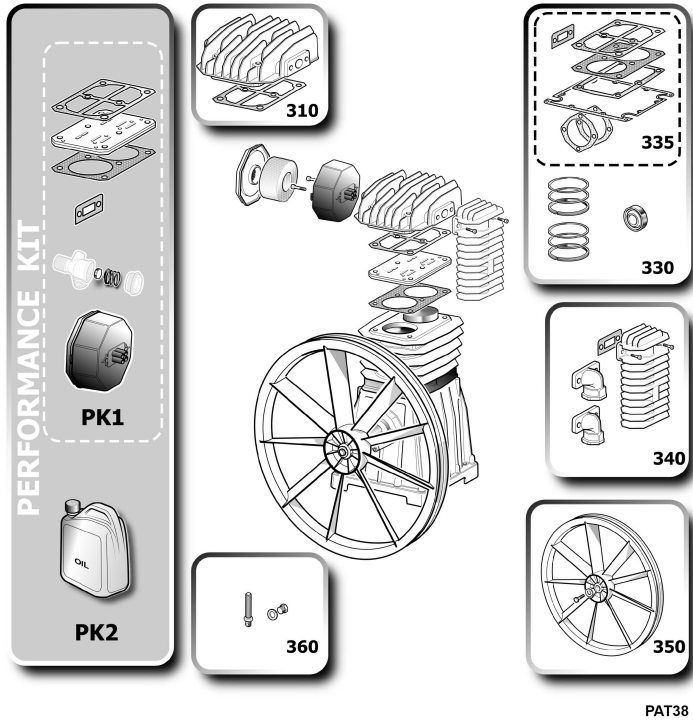
<b>Nr.</b>	<b>Item</b>	<b>Description</b>	<b>End</b>	<b>Q.ty</b>
108	6214345100	Pressure reducer		1.00 PC
109	6214345000	Gauge		1.00 PC
110	6210719900	Safety valve		1.00 PC
112	6231943500	Fitting		1.00 PC
114	6214348500	Wheel pin		2.00 PC
117	2236105157	Knob		1.00 PC
125	2236110190	Pulley		1.00 PC
126	6214632100	Belt		1.00 PC
127	6245578000	Rilsan tube		1.20 M
131	2236110612	Pressure switch	31/12/40	1.00 PC
132	6256395400	Cable	31/12/40	1.00 PC
135	6226121700	Motor		1.00 PC
145	2236111041	Delivery pipe		1.00 PC



## Information

Item 4116024280 Description ABAC PRO A39B 150 CM3 V230

### PAT38 / A39 / NS19



PAT38

## Part

Nr.	Item	Description	End	Q.ty
310	2901325044	Cylinder head kit		1.00 PC
310	2901325044	Cylinder head kit	30/12/40	1.00 PC
330	2901325046	Upgrade kit		1.00 PC
330	2901325046	Upgrade kit	30/12/40	1.00 PC
335	2901325045	Joints kit		1.00 PC
335	2901325045	Joints kit	30/12/40	1.00 PC
340	2901325047	Aftercooler kit		1.00 PC
340	2901325047	Aftercooler kit	30/12/40	1.00 PC
350	2901325050	Flywheel kit		1.00 PC

